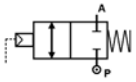


2/2 WAY COMPACT PISTON VALVE G 3/8" ÷ 1/2"; BRASS

Piston valve with external pneumatic actuation, compact and solid construction. Suitable for neutral media with particles in suspension, a situation where a standard servoassisted solenoid valve may get clogged.



**normally closed
flow over / under seat**

TYPE: BLG

TECHNICAL SPECIFICATIONS

Media: water and inert fluids, air and inert gases
Media temperature: -10°C ÷ +90°C
Ambient temperature: -10°C ÷ +80°C
Pilot media: filtered air
Actuator body material: brass (CW617N EN 12165 : 1999)
Body material: brass (CW617N EN 12165 : 1999)
Stem material: AISI 316L
Seal material: FKM
Frequency: 6 cycles per minute



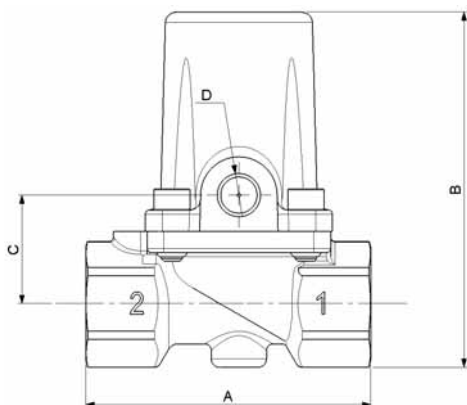
BENEFITS

Waterhammer-free design (flow direction 2 → 1)
To be fitted with banjo bolt pilot solenoid valve (B356CVCMK)
Design for vacuum applications up to 10 ⁻² mbar

OPTIONS

NPT connection (Ex. Code BLN205DVW00)
Electroless nickel plating treatment (Ex. Code BLG205DVW0K)
NBR seal (Ex. Code BLG205DBW00)

SELECTION TABLE	VALVES	Body connection	DN	Flow rate Kvs	Working pressure		Flow direction	Pilot pressure		Actuator ø
	Code	[ISO 228]	[mm]	[l/min]	min [bar]	max [bar]		min [bar]	max [bar]	[mm]
	BLG204DVW00	3/8"	13,5	56 / 45	0	10	1 → 2 / 2 → 1	4,5	10	32
BLG205DVW00	1/2"	13,5	70 / 55	0	10	1 → 2 / 2 → 1	4,5	10	32	



DIMENSIONS & WEIGHTS	Body connection	A	B	C	D	weight
	[ISO 228]	[mm]	[mm]	[mm]	[mm]	[Kg]
	G 3/8"	67	84	26	G 1/8"	0,55
G 1/2"	67	84	26	G 1/8"	0,52	