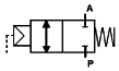


2/2 WAY PISTON VALVE G 1/2" ÷ 2" BIDIRECTIONAL; STAINLESS STEEL



normally closed
flow over / under seat

TYPE: REGULAR BD

TECHNICAL SPECIFICATIONS

- Media: water, oil, air, aggressive media and steam⁽¹⁾
- Media temperature: -10°C ... +180°C
- Ambient temperature: -10°C ... +60°C
- Pilot media: air, inert gases, water
- Body material: cast AISI 316L (see page 36)
- Bonnet material: cast AISI 316L (see page 36)
- Actuator body material: Polyamide PA6 (reinforced fiberglass 30%)
- Seal material: PTFE type TFM 1600
- Position indicator as standard
- Valves DN32÷DN50 complying with 97/23 EC Directive Category I

BENEFITS

- Waterhammer-free design (with flow direction 2i 1)
- Actuator housing rotation 360°
- Design suitable for vacuum applications up to 10⁻² mbar

OPTIONS

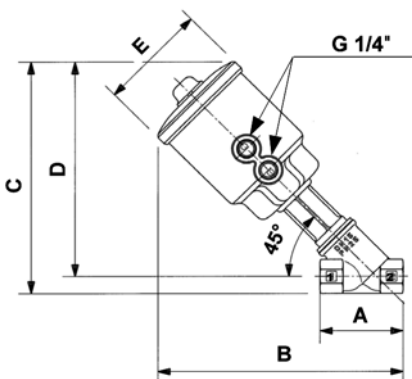
- Manual override (ex. code BPG205STWM0) see page 24
- Stroke regulator (ex. code BPG210STJR0) see page 24
- Travel switch (ex. code BPG208LTZI0) see page 24
- NPT connection (ex. code BPN205STW00)
- Weld ends see page 17



SELECTION TABLE

VALVES	connection	DN orifice	Flow rate Kvs	Working pressure ⁽¹⁾		Flow direction	Pilot pressure ⁽²⁾		Actuator ø
				min (bar)	max (bar)		min (bar)	max (bar)	
Code	(ISO 228 G)	(mm)	(l/min)	min (bar)	max (bar)		min (bar)	max (bar)	(mm)
BPG205STW00	1/2"	15	98	0	16	1i 2 2i 1	5.5/3.8	10	63
BPG206STX00	3/4"	20	164	0	16	1i 2 2i 1	6 /3.8	10	63
BPG207STY00	1"	25	260	0	16/11	1i 2 2i 1	6.5/3.8	10	63
BPG208STZ00	1 1/4"	32	410	0	16/ 6	1i 2 2i 1	6.8/3.8	10	63
BPG209STK00	1 1/2"	40	700	0	12/ 4	1i 2 2i 1	9 /3.8	10	63
BPG210STJ00	2"	50	950	0	8/2.5	1i 2 2i 1	9 /3.8	10	63
BPG207LTY00	1"	25	260	0	16/14	1i 2 2i 1	4 /3.3	8	90
BPG208LTZ00	1 1/4"	32	410	0	16/12	1i 2 2i 1	5 /3.3	8	90
BPG209LTK00	1 1/2"	40	700	0	16/8	1i 2 2i 1	6 /3.3	8	90
BPG210LTJ00	2"	50	950	0	14/ 6	1i 2 2i 1	8 /3.3	8	90

(1) Steam: Max. working pressure 10 bar (9 barg); - (2) Minimum pilot pressure at max. working pressure; for lower working pressure see selection charts;



DIMENSIONS & WEIGHTS

Connection	Actuator ø	A	B	C	D	E	weight
(ISO 228 G)	(mm)	(mm)	(mm)	(mm)	(mm)	(mm)	(kg)
1/2"	63	65	192	184	171	85	1.2
3/4"	63	75	198	192	176	85	1.3
1"	63	90	212	205	185	85	1.5
1 1/4"	63	110	225	217	193	85	1.9
1 1/2"	63	120	230	225	198	85	2.1
2"	63	150	248	241	207	85	2.9
1"	90	90	223	216	196	112	2.0
1 1/4"	90	110	234	227	202	112	2.4
1 1/2"	90	120	239	235	207	112	2.6
2"	90	150	257	250	216	112	3.3