

## RP-Q & QX Series



### Features

- Very small and light weight peristaltic pump became available by Ring Pump technology and applications are increasing. It was used by NASA in the tests in the space.

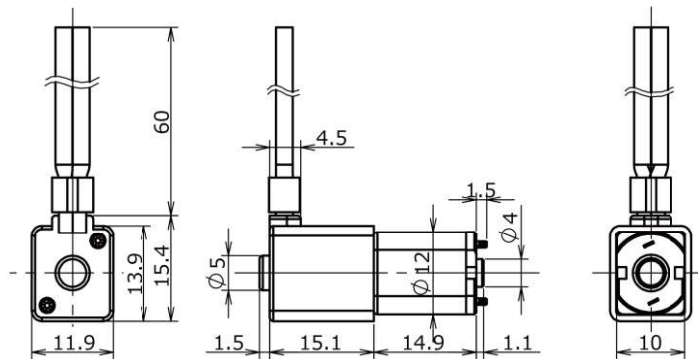
### Examples of application

Analytical instruments, medical devices, fuel cell and many other usage where micro-fluidic control is needed.

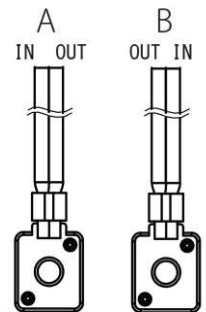
### Main specifications

Flow rate (mL/min) ※	Q: 0.45 0.20 QX: 1.1 0.5
Tubing	Silicone/Norprene/SWFT
Motor/Power source	DC3V
Material of main parts	Case: PP
Weight (for reference)	Approx. 11g

### 【Outline view】



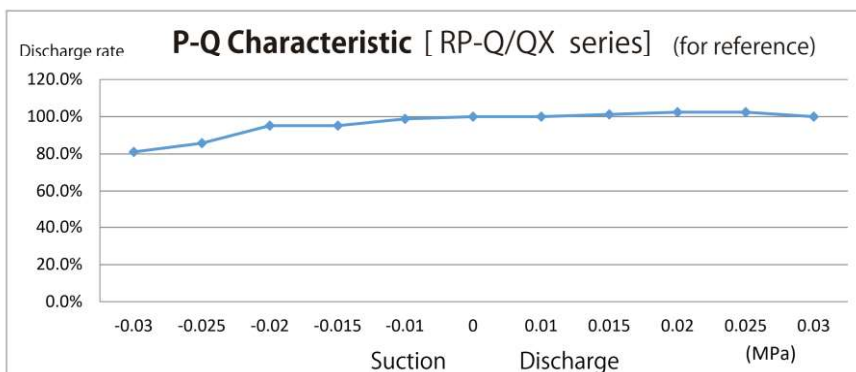
### 【Flow direction】



### Model Lineup

Model Lineup	Voltage (DC/V)	Flow rate (mL/min)	Tubing		Motor Rotation	Flow Direction
			Type	ID x OD (mm)		
RP-Q1.5S-P45Z-DC3V	3	0.45	Silicone (S)	1.5 X 2.5	CCW	A
RP-Q1.2N-P20Z-DC3V	3	0.20	Norprene (N)	1.2 X 2.5		
RP-Q1.2C-P20Z-DC3V	3	0.20	SWFT (C)	1.2 X 2.5		
RP-QX1.5S-1Z-DC3V	3	1.10	Silicone (S)	1.5 X 2.5	CW	B
RP-QX1.2N-P50Z-DC3V	3	0.50	Norprene (N)	1.2 X 2.5		
RP-QX1.2C-P50Z-DC3V	3	0.50	SWFT (C)	1.2 X 2.5		

Norprene/SWFT: product of Saint-Gobain SA



※ Variable by material or ID of tubing.

MPa	-0.03	-0.025	-0.02	-0.015	-0.01	0	0.01	0.015	0.02	0.025	0.03
Discharge rate	81.0%	85.7%	95.2%	95.2%	98.8%	100.0%	100.0%	101.2%	102.4%	102.4%	100.0%